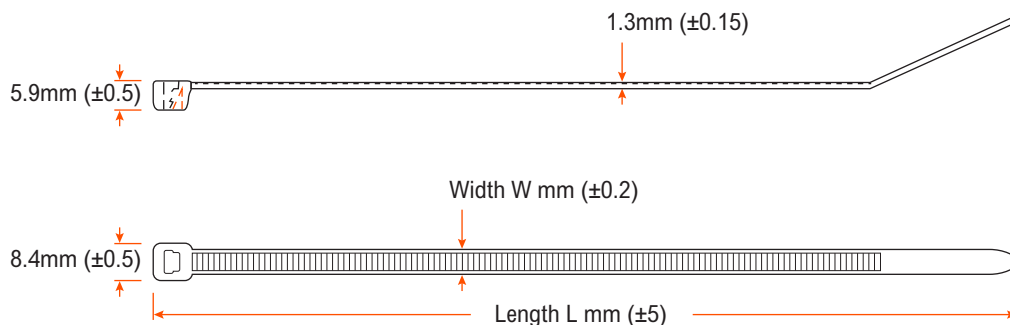
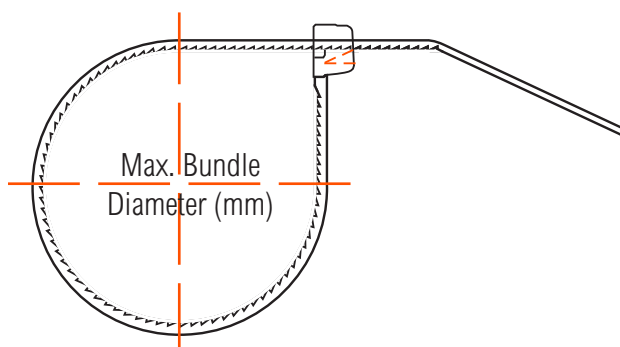


Cable Ties

Standard Fluorescent



• Material:	UL approved Nylon 66, 94V-2. High tensile strength with low insertion force. Excellent resistance to weathering and ageing.
• Feature:	Suitable for a multitude of uses in various industries.
• Application:	Self-locking for fast and easy application.
• Operating Temperature:	-40°C to +85°C.



See product technical table
on next page

Cable Ties

Standard Fluorescent

Item No.	Colour	Width W (mm)	Length L (mm)	Max. Bundle Diameter (mm)	Min. Tensile Strength (kg)
CT5-FLBLUE	Fluorescent Blue	4.8	203	52	22
CT5-FLGREEN	Fluorescent Green	4.8	203	52	22
CT5-FLORANGE	Fluorescent Orange	4.8	203	52	22
CT5-FLPINK	Fluorescent Pink	4.8	203	52	22
CT5-FLYELLOW	Fluorescent Yellow	4.8	203	52	22
CT8-FLBLUE	Fluorescent Blue	4.8	300	83	22
CT8-FLGREEN	Fluorescent Green	4.8	300	83	22
CT8-FLORANGE	Fluorescent Orange	4.8	300	83	22
CT8-FLPINK	Fluorescent Pink	4.8	300	83	22
CT8-FLYELLOW	Fluorescent Yellow	4.8	300	83	22
CT10-FLBLUE	Fluorescent Blue	4.8	368	105	22
CT10-FLGREEN	Fluorescent Green	4.8	368	105	22
CT10-FLORAN	Fluorescent Orange	4.8	368	105	22
CT10-FLPINK	Fluorescent Pink	4.8	368	105	22
CT10-FLYLW	Fluorescent Yellow	4.8	368	105	22